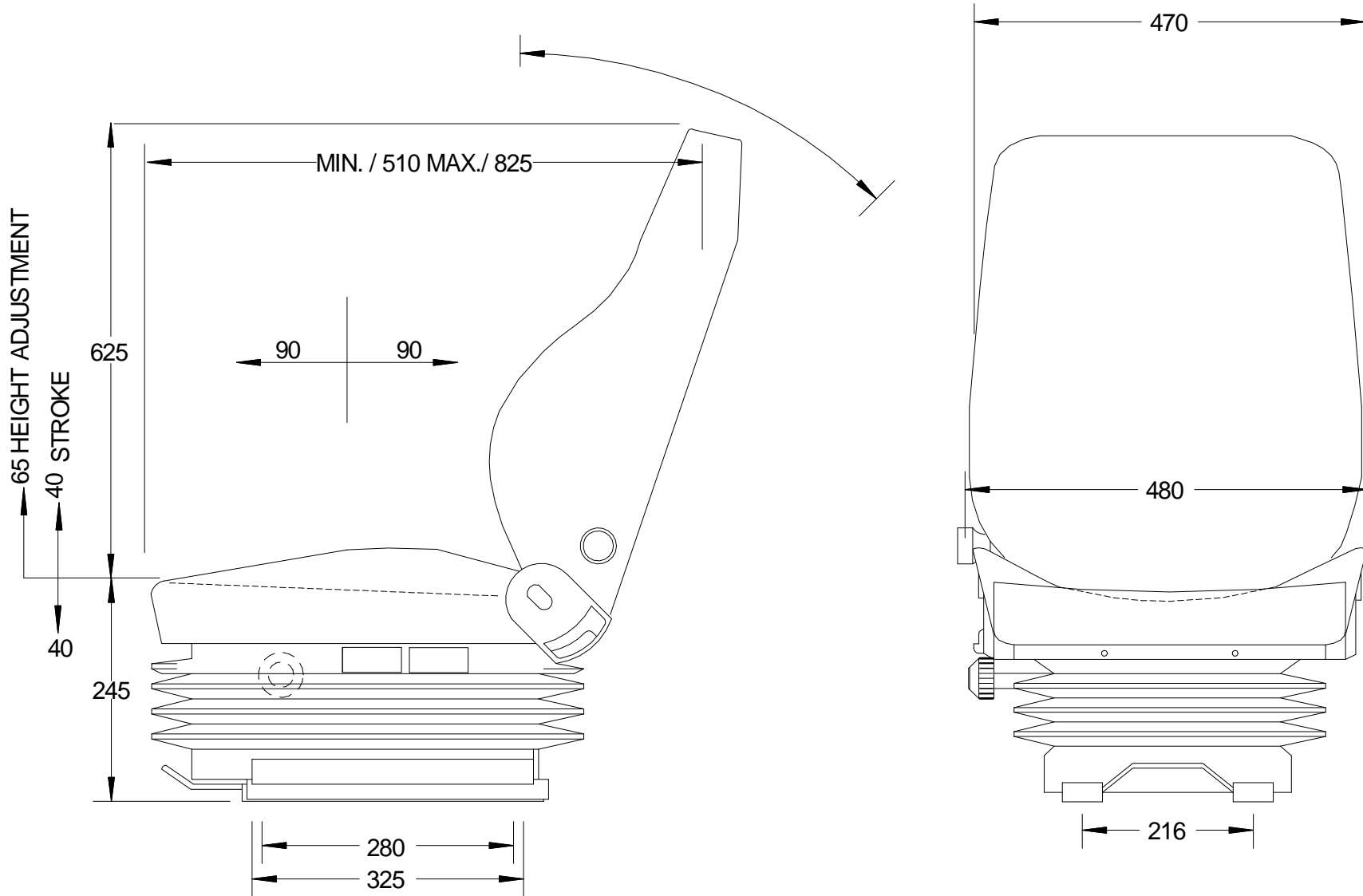


BACKREST ADJUSTMENTS $20 \times 2^\circ = (40^\circ)$



ISRI®

ISRI 6000/517